

CR-20

most compact recoiler on the market





quick installation



*cost-effective
low maintenance cost*

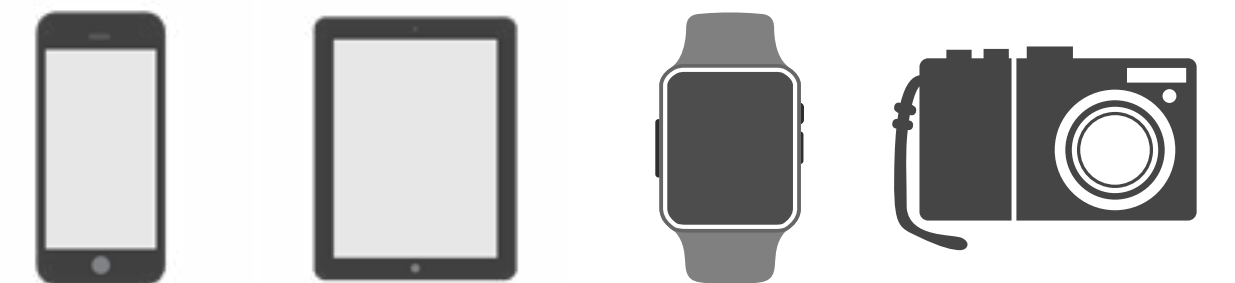


*effective marketing tool
for cross-merchandising*



Revolutionary barrel recoiler
simplicity and efficiency

We have created a truly revolutionary recoiler product by using existing Shopguard innovations: integrated screaming sensor with built-in battery and key reader, SB-20-based mounting base with wedge, and outstanding charging capabilities topped with completely new barrel recoiler mechanism that makes it the simplest and best solution for the market of today.





- + **revolutionary barrel recoiler**
completely tabletop solution
- + **compact and smart sensor**
integrates Shopguard's innovations
- + **extra stability and precision**
forget wobbly tablets and DSLRs
- + **re-engineered acoustics**
105dB screaming sensor
- + **bayonet-lock and wedge**
shares same platform with SB-20
- + **lock-down feature**
perfect for customer service counters



ENGINEERED EFFICIENCY



claw compatible
mechanical security

illumination
and light feedback

lock-down
with screw

5.2V/2A
charging

key reader
for iButton keys

105dB
integrated alarm

easy removal
for re-merchandising

kevlar reinforced
recoiler cable



Wall-mounted security

Supported with wedge



universal watch sensor
with secondary flexible backplate sensor

C-shaped holder
with magnetic top

lock-down feature
to fix cradle on stand

charging capability
for standard plugs (for example, micro USB)

universal smartwatch security

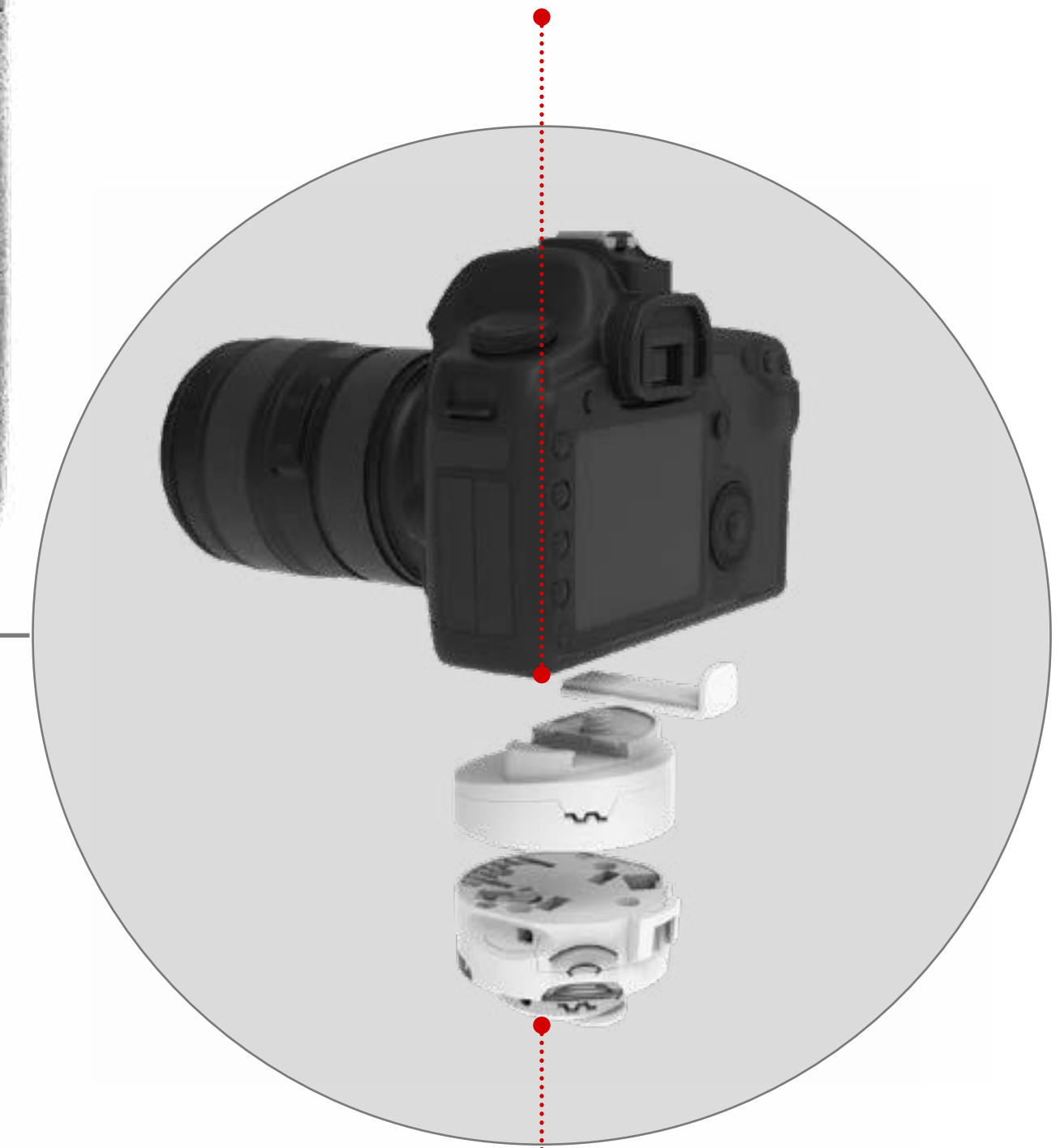
lens or external part protection
to secure DSLRs and MILCs



special camera adapter
attached with tripod screw



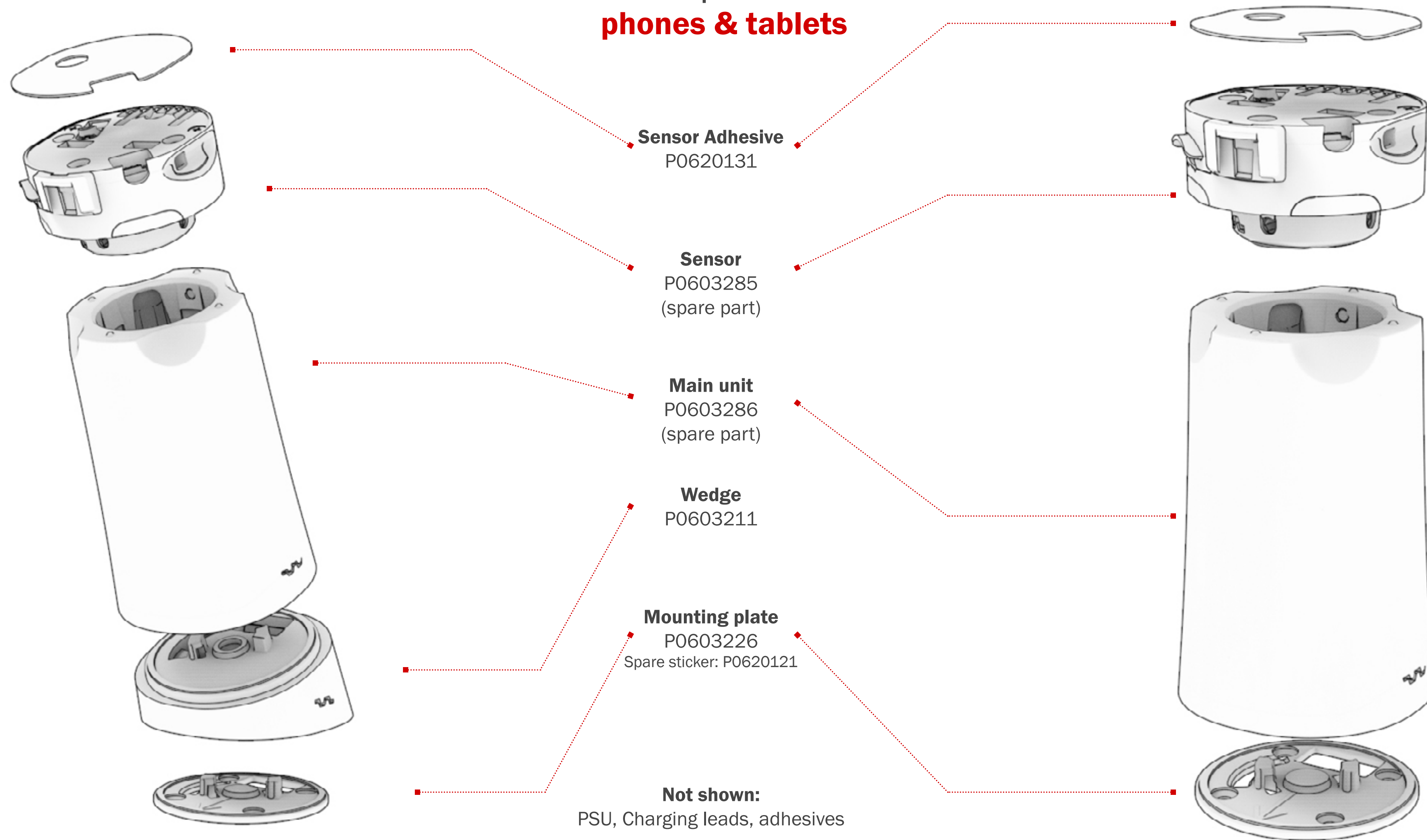
anti-twist clip
adjustable




anti-fall claw
for heavy cameras

advanced camera security

Components phones & tablets



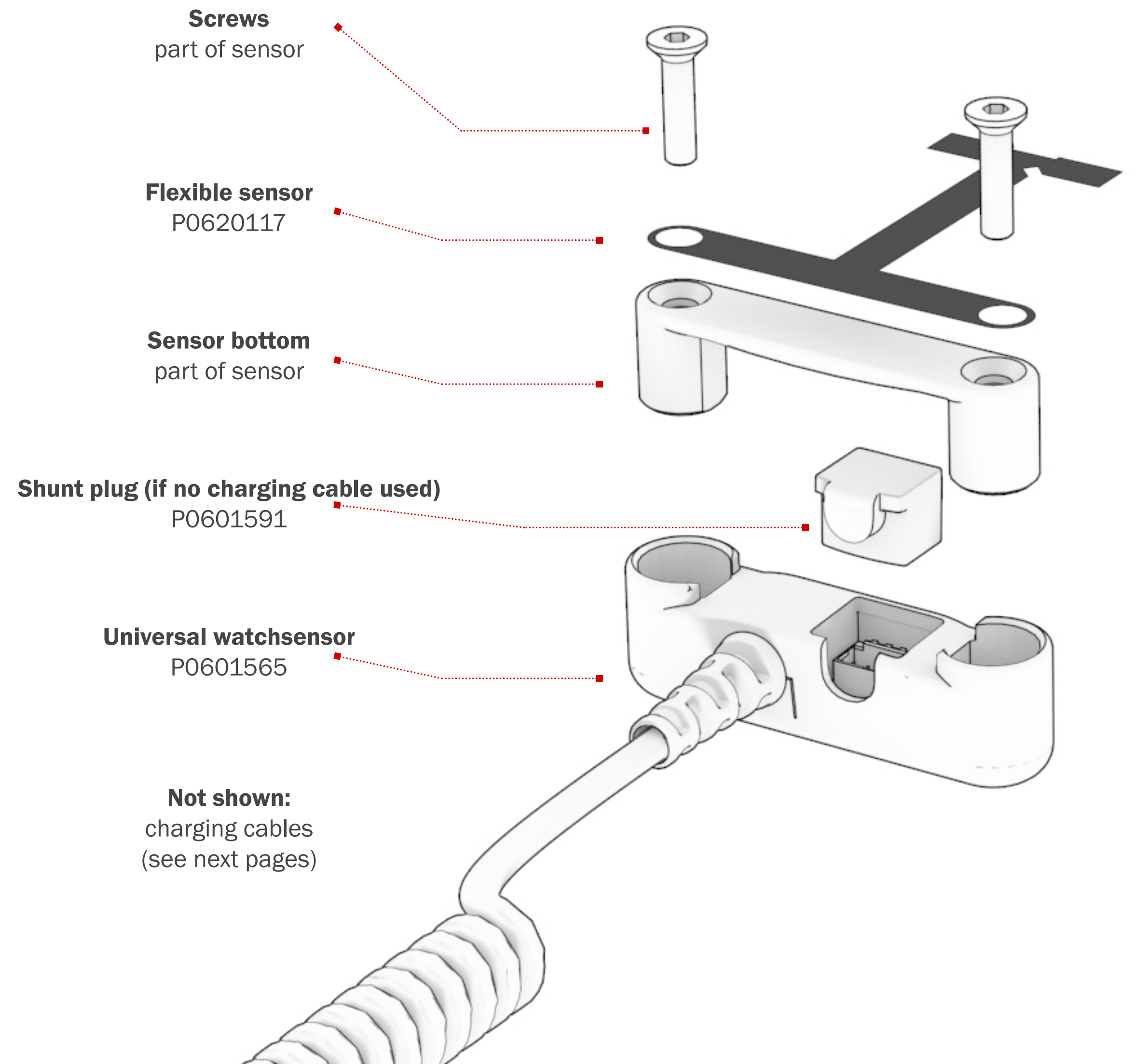
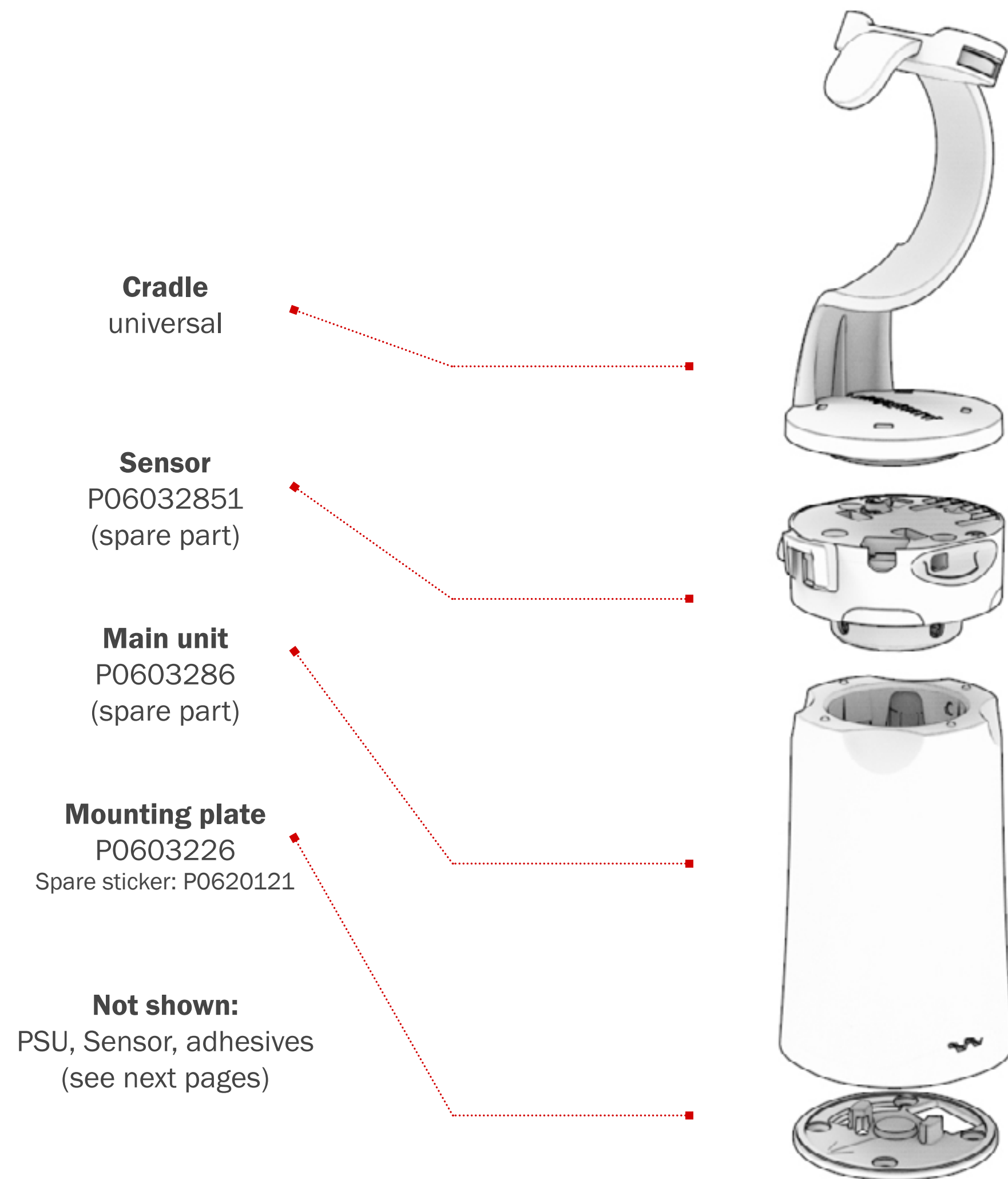
How to order Phone / Tablet security

Image	Part #	Description
	P0603288	CR-20, White
	P0603211	SB-20 / CR-20 Wedge, White

not included: cables (see later), PSU, spare stickers

Image	Part #	Description
	P0603285	CR-20 Sensor, White SPARE PART
	P0603286	CR-20 Main unit and Recoiler, White SPARE PART
	P0603226	SB-20 / CR-20 Mount with Sticker SPARE PART

Components universal smartwatch



How to order Smartwatch security




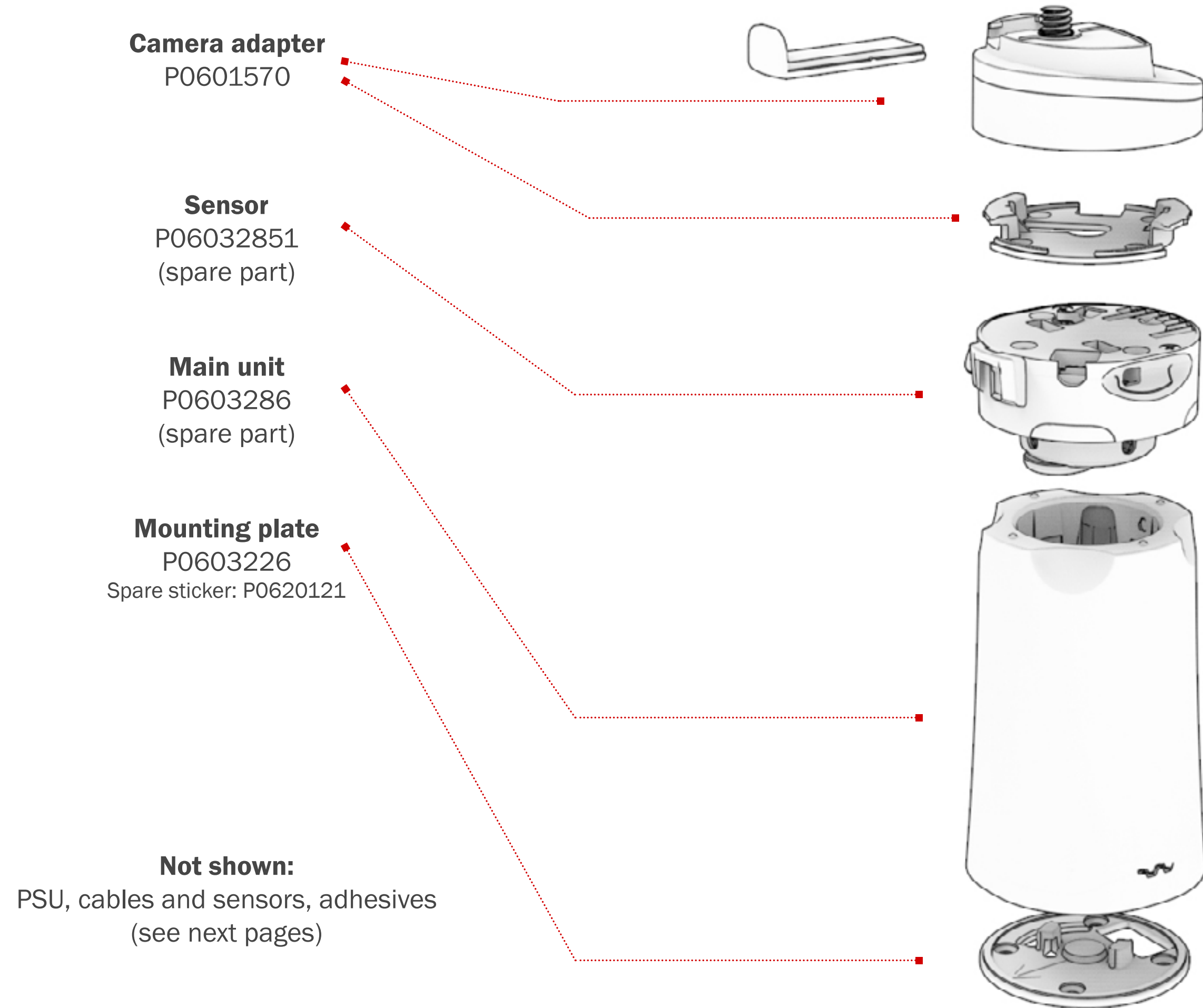
Image	Part #	Description
	P0603288	CR-20, White
	P0603211	SB-20 / CR-20 Wedge, White
	P0601539	CR-20 Universal watch cradle, White

Image	Part #	Description
	P0603285	CR-20 Sensor, White SPARE PART
	P0603286	CR-20 Main unit and Recoiler, White SPARE PART
	P0603226	SB-20 / CR-20 Mount with Sticker SPARE PART

not included: cables (see later), PSU, spare stickers

Components **camera**



How to order Camera security

Image	Part #	Description
	P0603288	CR-20, White
	P0603211	SB-20 / CR-20 Wedge, White
	P0601570	CR-20 Camera adapter, White

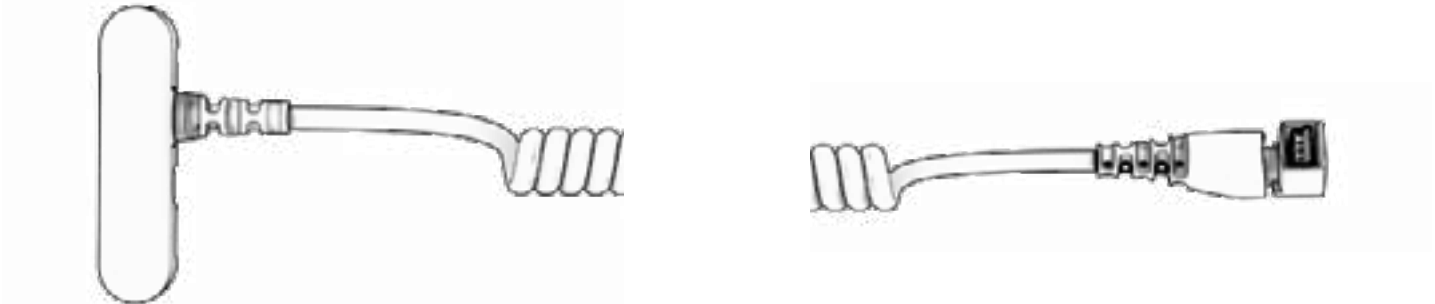

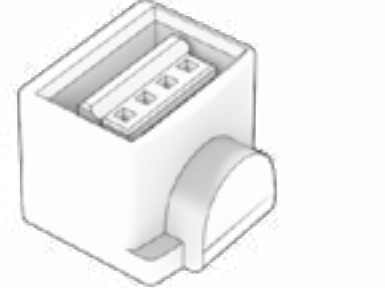


Image	Part #	Description
	P0603285	CR-20 Sensor, White SPARE PART
	P0603286	CR-20 Main unit and Recoiler, White SPARE PART
	P0603226	SB-20 / CR-20 Mount with Sticker SPARE PART

not included: cables (see later), PSU, spare stickers

Cables and sensors I.

	<i>Image</i>	<i>Part #</i>	<i>Description</i>
		P0603283	Charging lead - Apple Lightning, white
		P0603167	Charging lead - micro USB, white
		P0603166	Charging lead - USB Type-C, white

Cables and sensors II.

Image	Part #	Description
	P0601565	Universal watch sensor (same as for Smart Recoiler), white
	P0620117	Universal watch secondary flexible sensor
	P0601591	Shunt plug (if no charging lead is used), white
	P0603225	Camera lens secondary sensor (lens flexible sensor excluded)
	P0603182	Lens flexible sensor for camera secondary sensor

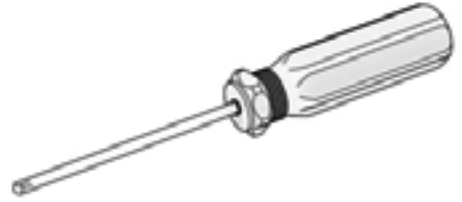
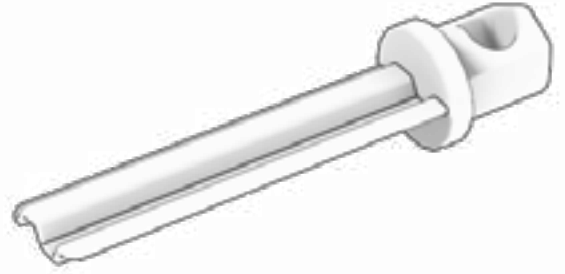


PSUs

Part #	Description
P0601657	CR-20 PSU 12V/1A - EU plug
P0601660	CR-20 PSU 12V/1A - AUS plug
P0601659	CR-20 PSU 12V/1A - UK plug
P0601658	CR-20 PSU 12V/1A - US plug

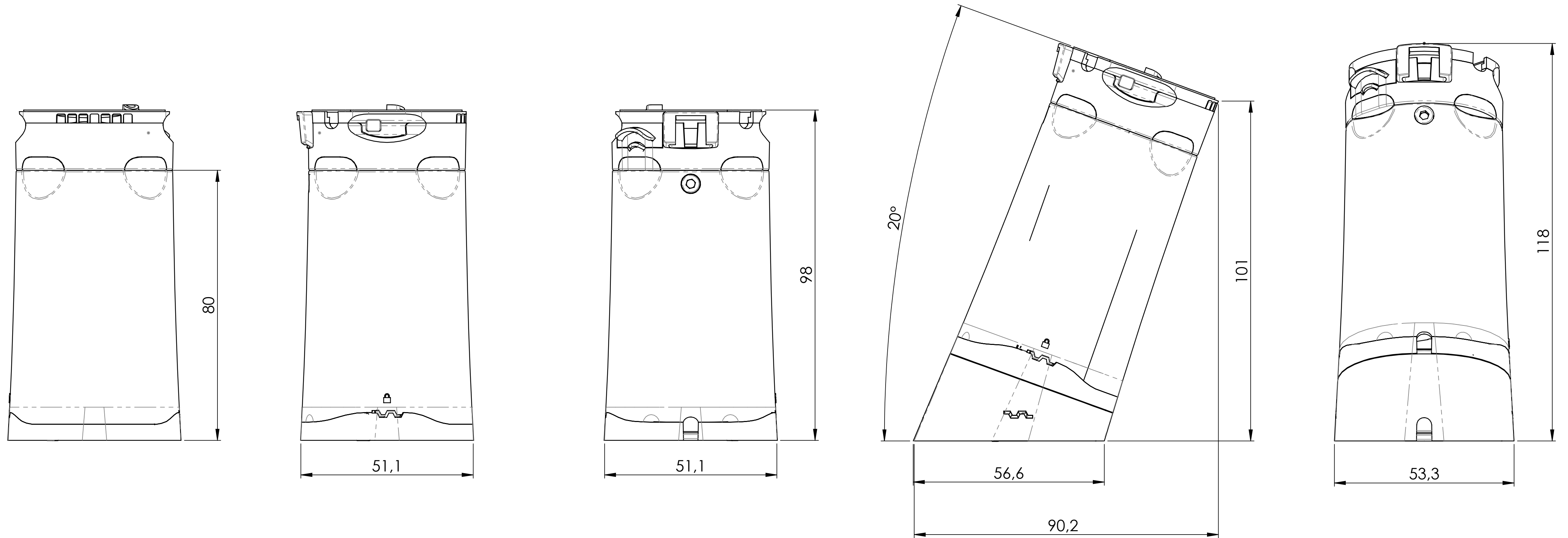
Adhesives and wipe

Part #	Description
P0620131	CR-20 sensor adhesive
P0620121	CR-20 mounting plate adhesive
P0620096	COB sensor adhesive
P0620096	Camera lens secondary sensor adhesive
P0601563	Alcohol wipe

Keys and tools

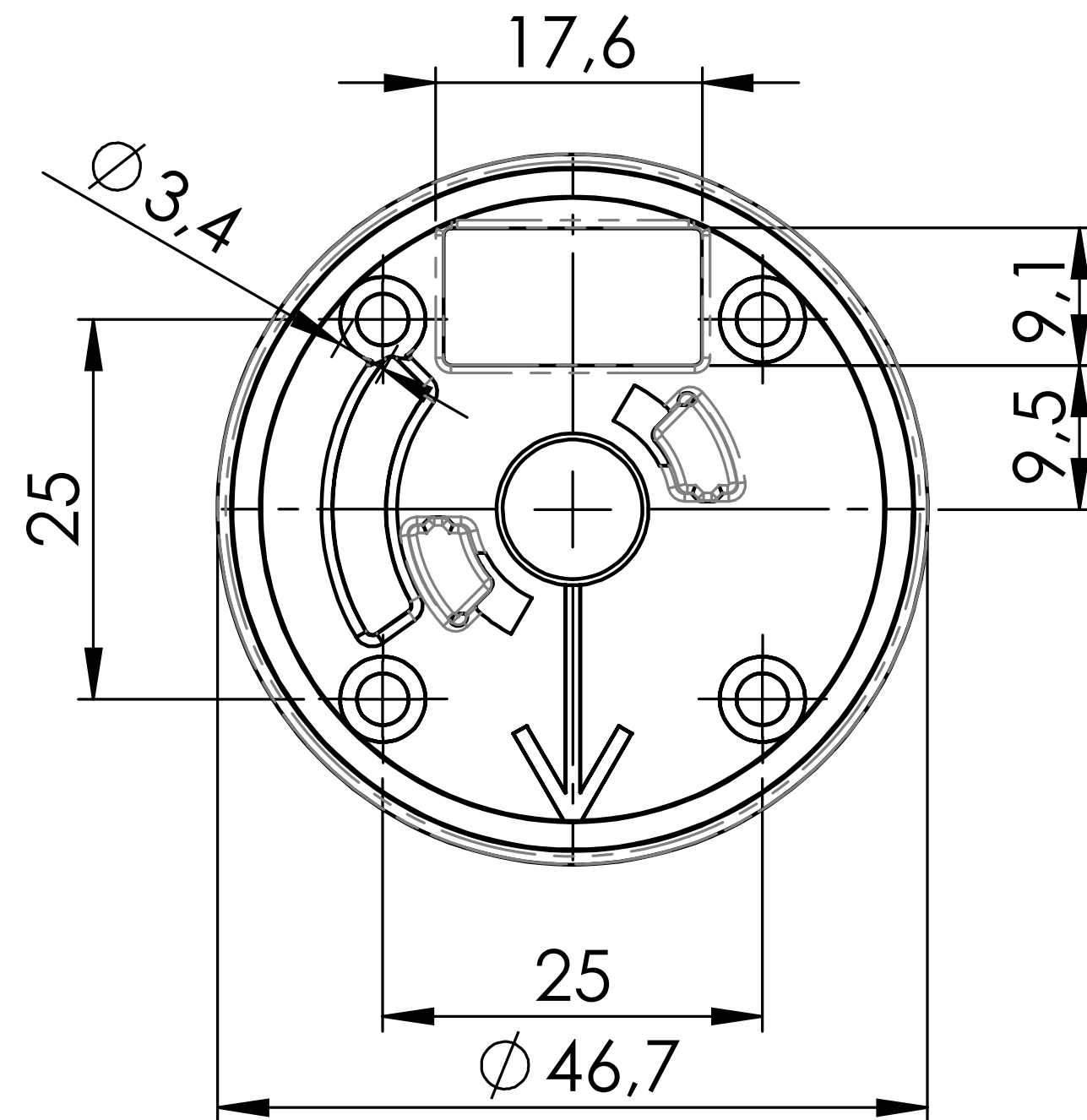
Image	Part #	Description
	P0601656	M2.5 Allen key (lock-down tool)
	P0603019	Wave key (locking main unit to wedge/mounting plate)
	P0600413	Camera sensor opener
		Standard Shopguard key set

Technical Data

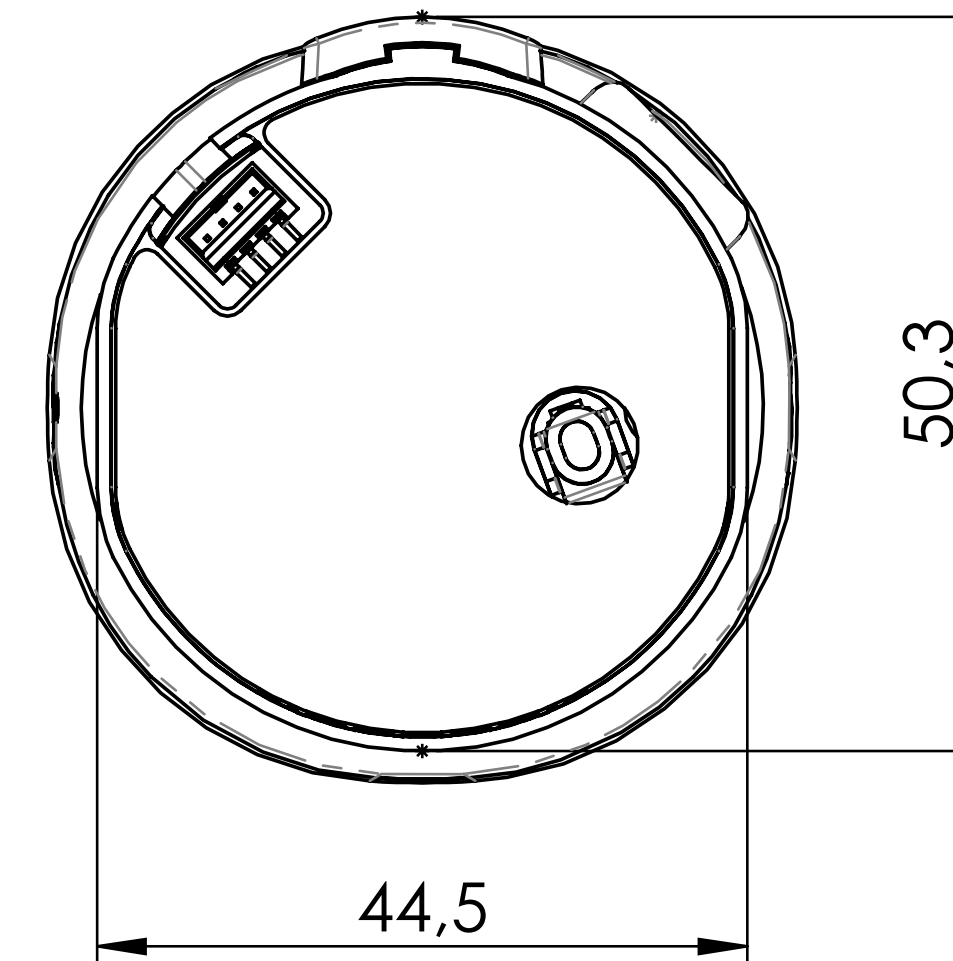


Technical Data

Mounting Base



Sensor



Product Type:

Stand-alone

Mounting Options

Mounting base with adhesive
Holes for self-tapping screws

Input

110-240 VAC, 50-60Hz 0.3A

Available Colours

○ White, MOQ for other colour

Output / Charging Capability

5.2V = 2A